

**PLAS 911 B ~ OCEANTRAILS CROWN (MODIFIED)**

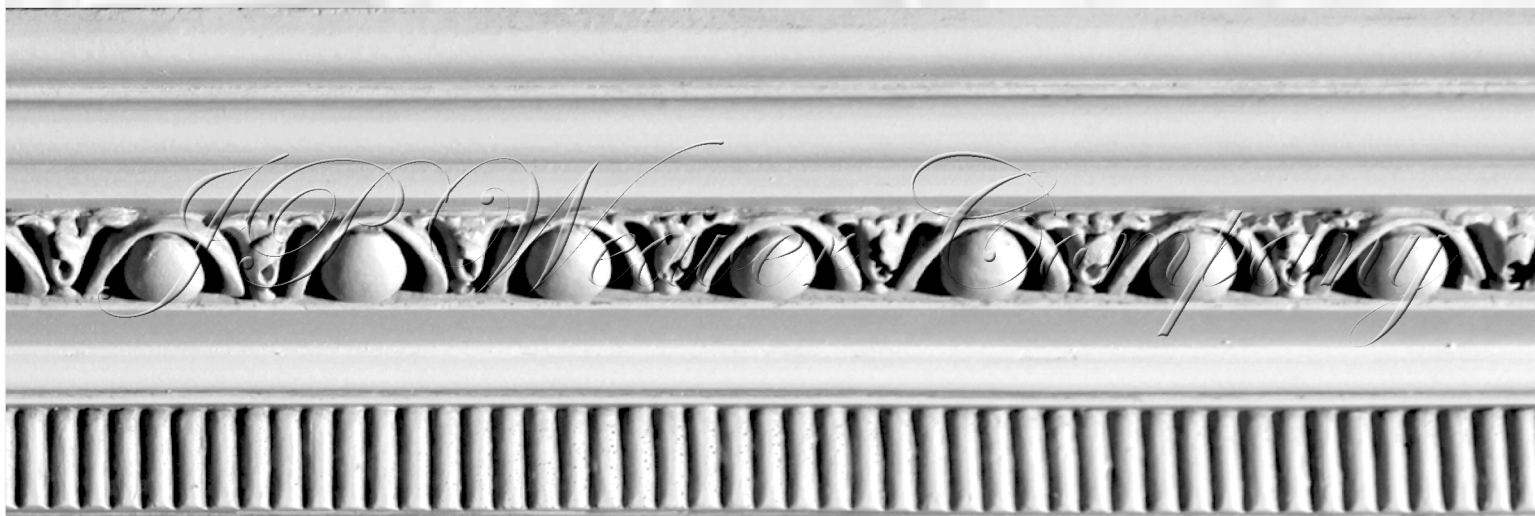
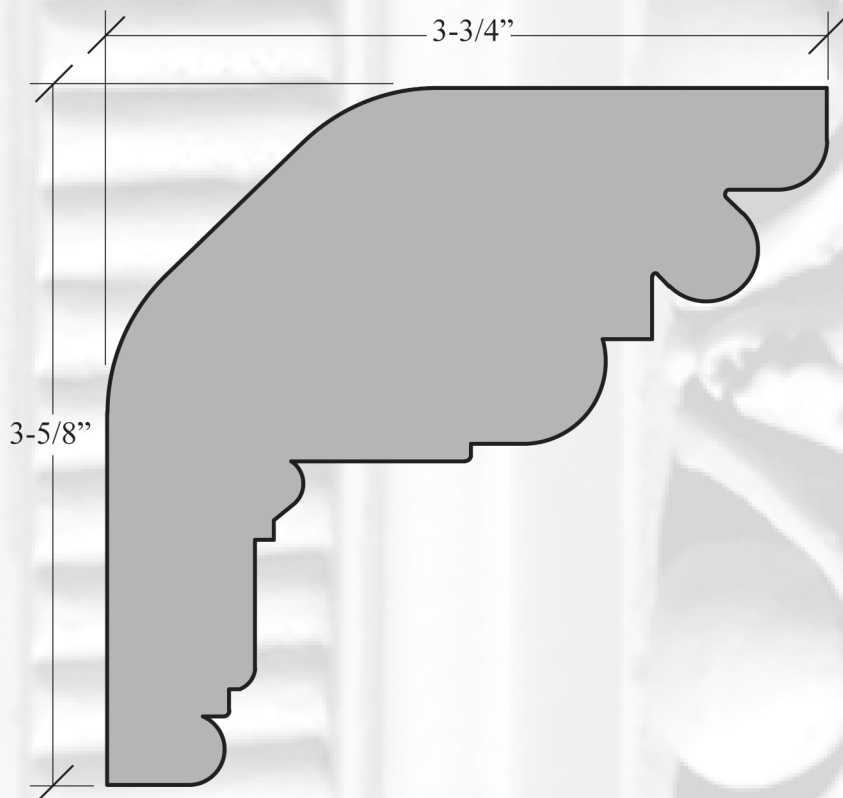


PHOTO NOT TO SCALE



PROFILE AT FULL SCALE

**PLAS 911 B**  
**OCEANTRAILS**  
**CROWN (MODIFIED)**

3-3/4" PROJECTION  
3-5/8" HEIGHT  
84-1/4" LENGTH

21 LBS. PER LENGTH  
85" SHIPPING LENGTH